

This watch is a combination quartz watch with a world time function, which displays the time in 30 world cities and the UTC (Coordinated Universal Time), and a thermometer function. It also includes an EL (electroluminescence) light function.

CONTENTS

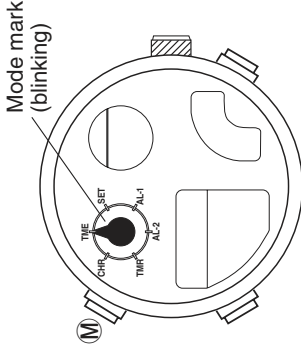
1. NAMES OF PARTS	4
2. CHANGING MODES (FUNCTIONS)	6
3. SETTING THE HANDS	8
4. TIME/CALENDAR MODE	9
A. Changing the display	9
B. Changing the display city	10
C. Adjusting the time and calendar	12
5. ZONE SET MODE	15
A. How to set the zone	16
6. ALARM 1 & 2 MODES	17
A. How to set the alarms	17
B. Alarm ON/OFF and alarm monitor	18
7. TIMER MODE	19
A. How to set the timer	19
B. Timer countdown	20

8. CHRONOGRAPH MODE	22
A. Total elapsed time measurement	23
B. Split time measurement	23
9. THERMOMETER	25
A. Methods of measurement	25
B. Temperature measurement range and accuracy	26
C. Switching between Celsius/Fahrenheit display	27
10. LOW BATTERY INDICATOR	28
11. ALL RESET	29
12. PRECAUTIONS	30
13. SPECIFICATIONS	36

1. NAME OF PARTS

Name	Mode		Time display		Time • Calendar Calendar/temperature display		City selection display		Zone Set	Alarm 1 or Alarm 2	Timer	Chronograph
	Press once	Press more than 2 seconds	EL light goes on	EL light goes on	City selection display	City selection display	City selection display	City selection display				
Button (A)	Press once	Press more than 2 seconds	EL light goes on	EL light goes on	City selection display	City selection display	City selection display	City selection display	EL light goes on	Switching ON/OFF	Start/Stop	Start/Stop
Button (B)	Press once	Press more than 2 seconds	To calendar/temperature display	To city selection display	Displayed city changes	Displayed city changes	Displayed city changes	Displayed city changes	Displayed city changes	Alarm monitor	—	—
	Press more than 2 seconds	Press more than 2 seconds	To time/calendar adjustment mode	To time selection display	Displayed city changes quickly	Displayed city changes quickly	Displayed city changes quickly	Displayed city changes quickly	To city setting adjustment mode	To alarm adjustment mode	—	—
Button (M)	Press once	Press once	To <SET> mode	To <SET> mode	To time display	To time display	To time display	To <AL-1> mode	To <TMR> mode	To <TMR> mode	To <CHR> mode	To <TME> mode
1: Mode mark display			TME		TME		TME		SET	AL-1 or AL-2	TMR	CHR
2: Digital display [1]			Hour, minute, city	Month, day, city	Hour, minute, city	Hour, minute, city	Hour, minute, city	Hour, minute, city	Alarm time, city	Alarm time, city	Measured time (hours, minutes)	Hour, minute, second
3: Digital display [2]			Second	Temperature	Second	Second	Second	Time difference from UTC	ON or OFF	ON or OFF	Temperature	1/1000 second
4: Graphic display			Temperature (Celsius)	Day of week	Temperature (Celsius)	Temperature (Celsius)	Temperature (Celsius)	SET or OFF	—	—	Graphic display	Graphic display

5: Crown	To set analog time
6: Hour hand	Always indicates time (hours)
7: Minute hand	Always indicates time (minutes)
8: Second hand	Always indicates time (seconds)
9: Thermosensor	Measures temperature, shown on the digital display



Mode mark	Mode (function)
TME	Time/Calendar
SET	Zone Set*1
AL-1	Alarm 1
AL-2	Alarm 2
TMR	Timer
CHR	Chronograph

2. CHANGING MODES (FUNCTIONS)

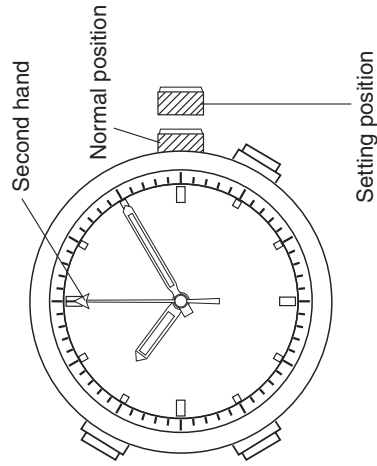
This watch has the modes (functions) listed in the next page. Each time button **M** is pressed, the mode changes. The current mode is indicated by the mode mark. For details on how to use each mode, see the appropriate section.

*1: Zone Set mode

This mode allows to set, for each of 30 world cities and the UTC (Coordinated Universal Time), a display (SET)/non-display (OFF) setting and a summer time setting.

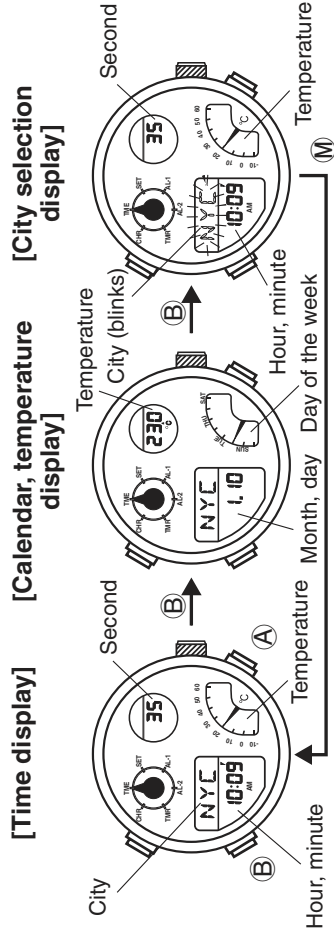
* If the watch is left in the Zone Set mode, Alarm 1 or Alarm 2 mode for approximately 2 minutes, it will automatically return to Time/Calendar mode.

3. SETTING THE HANDS



- (1) Pull the crown out to stop the hands.
- (2) Turn the crown to set the correct time.
- (3) Press the crown back in to restart.

4. TIME/CALENDAR MODE



A. Changing the display

- The “time display” changes to “calendar, temperature display” when button **B** is pressed.
- The “calendar, temperature display” changes to “city selection display” when button **B** is pressed.

- The “city selection display” changes to “time display” when button **(M)** is pressed.
- When you change to “calendar, temperature display,” the temperature will be measured and displayed at 2-second intervals for approximately 2 minutes. (Temperature measurement by button operation)
- The graphic display in “time display” and “city selection display” is an approximate indication of the latest measured temperature.
- In each of the displays, the EL light goes on when button **(A)** is pressed.

B. Changing the displayed city

- During the “city selection display” (city name blinks), every time button **(B)** is pressed, the displayed city will change according to the sequence shown in the chart on the next page.
- If button **(A)** is pressed while button **(B)** is being pressed, the displayed city will change in the opposite order.
- * After changing the displayed city, press button **(M)** to return to time display.
- * A city for which OFF has been selected in the Zone Set mode will not be displayed.
- * In the chart, cities (regions) with summer time system are indicated by **(O)**, **(X)** without summer time system.
- * Time difference and summer time for cities, are subject to change. (The chart shows the situation in 1997.)

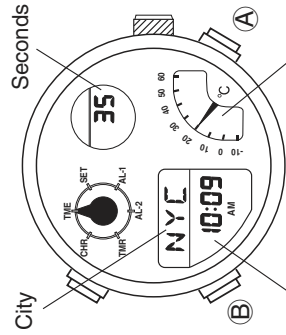
<The time difference between the cities and UTC time>

No.	Indication	City	Time difference	Summer-time	No.	Indication	City	Time difference	Summer-time
1	UTC	Universal time coordinated	±0	—	17	TYO	Tokyo	+9	X
2	LON	London	±0	O	18	SYD	Sydney	+10	O
3	PAR	Paris	+1	O	19	NOU	Nouméa	+11	X
4	ROM	Rome	+1	O	20	AKL	Auckland	+12	O
5	CAI	Cairo	+2	O	21	HNL	Honolulu	-10	X
6	IST	Istanbul	+2	O	22	ANC	Anchorage	-9	O
7	MOW	Moscow	+3	O	23	LAX	Los Angeles	-8	O
8	KWI	Kuwait	+3	X	24	DEN	Denver	-7	O
9	DXB	Dubai	+4	X	25	CHI	Chicago	-6	O
10	KHI	Karachi	+5	X	26	MEX	Mexico City	-6	X
11	DEL	New Delhi	+5.5	X	27	NYC	New York	-5	O
12	DAC	Dacca	+6	X	28	YUL	Montreal	-5	O
13	BKK	Bangkok	+7	X	29	CCS	Caracas	-4	X
14	SIN	Singapore	+8	X	30	RIO	Rio de Janeiro	-3	O
15	HKG	Hong Kong	+8	X	31	BUE	Buenos Aires	-3	X
16	PEK	Beijing	+8	X					

C. Adjusting the time and calendar

If the time and calendar settings for any of the 30 cities or the UTC are adjusted, those for all of the other cities will automatically be adjusted.

[Normal time display]



- (1) Display the adjusting city.
- (2) Press button **(B)** continuously for more than 2 seconds in time or calendar/temperature display. It will then become possible to adjust the figures. The blinking figures can be adjusted.
- (3) Each time button **(B)** is pressed, the blinking figures will change according to the following sequence: summer time → second → minute → hour → 12-hour/24-hour → month → day → year.
- (4) Press button **(A)** to adjust the figures. By continuously pressing button **(A)**, the figures change quickly.

- Each time button **(A)** is pressed when SUMMER is blinking, the summer time setting will alternately switch on (ON) or (OFF).
 - The seconds will return to 00 and start again if button **(A)** is pressed. (Moreover, if the seconds are between 30 and 59, the minutes will increase by 1.)
 - 12-hour/24-hour system will alternately switch, each time button **(A)** is pressed.
- (5) Press button **(M)** to return to normal display.
- * After the summer time setting is switched ON, "SUMMER" and a time one hour ahead of the regular time (the time when the summer time setting was OFF) will be displayed. (This only applies to cities with summer time settings ON.)
 - * Be careful to set AM and PM correctly in 12-hour system.
 - * The year can be set from 2000 to 2099. (The year is only displayed at time of adjustment.)
 - * Setting the year, month and day automatically sets the day of the week.
 - * If a non-existent date (for example, February 30) is set, the first day of the next month is displayed automatically by returning to the normal display.
 - * This watch has an automatic calendar, so it is not necessary to make adjustments for the ends of months, even in leap years.

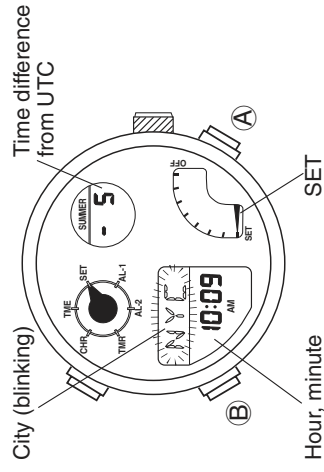
* When the watch is left for approximately 2 minutes in the adjustment mode (blinking display), it will automatically return to normal display.

* If button (M) is pressed in the adjustment mode, the watch will immediately return to normal display.

5. ZONE SET MODE

For each of the 30 cities and the UTC this watch displays, it is possible to set a display/non-display setting, as well as a summer time setting (except for UTC). Only cities with a SET setting will be displayed in Time/Calendar mode and Alarm modes.

[Zone setting display]



- When button (A) is pressed during the normal display, the EL light goes on.

A. How to set the zone

- (1) Press button **(B)** to display the zone setting city.
- (2) Press button **(B)** continuously for more than 2 seconds. In the graphic display, SET (display) or OFF (non-display) will blink.
- (3) Press button **(A)** and select SET or OFF for the displayed city.
- (4) Press button **(B)**. "SUMMER" and ON or OFF will blink.
- (5) Press button **(A)** and select ON or OFF for the summer time setting.
 - If you wish to input settings for other cities, press button **(B)** again. The watch will enter the adjustment mode for the next city. Then carry out, in order, the same steps, selecting SET (display) or OFF (non-display) and a summer time setting.
- (6) After completing the settings, press button **(M)** to return to normal display.

* If the watch is left in the adjustment mode for approximately 2 minutes, it will automatically return to normal display (the city blinks).

* If button **(M)** is pressed in adjustment mode, the watch will immediately return to normal display.

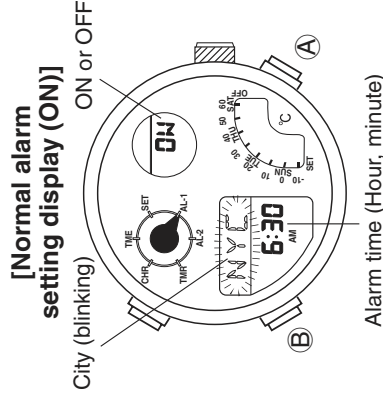
6. ALARM 1 & 2 MODES

Alarm 1 and Alarm 2 differ only in the sounds they make. They are used and set in exactly the same way. When the alarm is set (ON) once, it sounds for 20 seconds same time everyday. The alarm sounds stop by pressing any button.

A. How to set the alarms

When you set an alarm time for one city, the same alarm time will automatically be set for every other city.

- (1) Press button **(B)** to display the alarm setting city .
- (2) Press button **(B)** continuously for more than 2 seconds. The "Hours" will blink.
- (3) Press button **(A)** to set the "Hours". By continuously pressing button **(A)**, the figures change quickly.

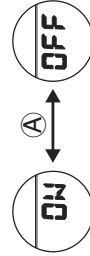


- (4) Press button **(B)**. The "Minutes" figure will blink.
- (5) Press button **(A)** to set the "Minutes".
- (6) Press button **(M)** to return to normal display.

- * When Time/Calendar mode is on 12-hour system, alarms operate on the same system. Please pay attention to AM/PM when setting alarm times.
- * After alarm is set, the alarm time will not change even if Time/Calendar mode is set to summer time.
- * If the watch is left in adjustment mode for approximately 2 minutes, it will automatically return to normal display (the city blinks).
- * If button **(M)** is pressed in adjustment mode, the watch will immediately return to normal display.

B. Alarm ON/OFF and alarm monitor

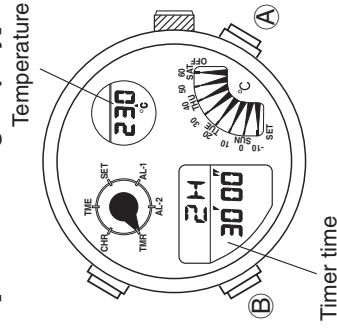
Each time button **(A)** is pressed during the normal alarm display, alarm setting switches alternately between ON and OFF. Also, the alarm sound can be confirmed by continuously pressing button **(A)**.



7. TIMER MODE

The timer can be set, in increments of 1 minute, for up to 100 hours. After a set time elapses, a time-up signal sounds for approximately 5 seconds. The timer then returns to the set time and stops.

[Timer setting display]

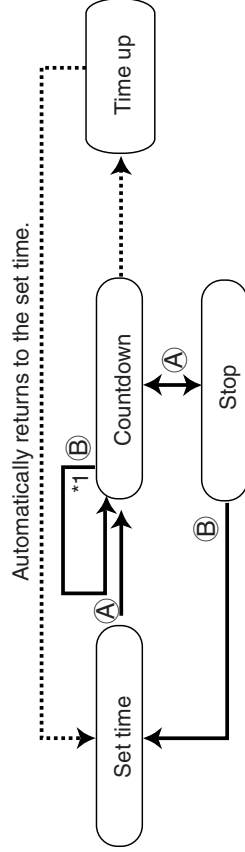


A. How to set the timer

- (1) Press button **(B)**. The "Minutes" will blink.
- (2) Press button **(A)** to set the "Minutes". By continuously pressing button **(A)** the figures changes quickly.
- (3) Press button **(B)**. The "Hours" will blink.
- (4) Press button **(A)** to set the "Hours".
- (5) Press button **(M)** to return to the timer setting display.

B. Timer countdown

- (1) Press button (A) to start the timer at the set time.
- (2) If button (A) is pressed during timer countdown, the timer stops. If button (A) is pressed again, the timer restarts.
- (3) If button (B) is pressed when the timer stops, the display returns to the timer set time.



*1: Timer restart function

If button (B) is pressed during timer countdown, the mode immediately changes to timer set time display and restarts.

<Confirmation sound>

At the time of start, stop, reset or timer restart operation in timer mode, a confirmation sound is heard.

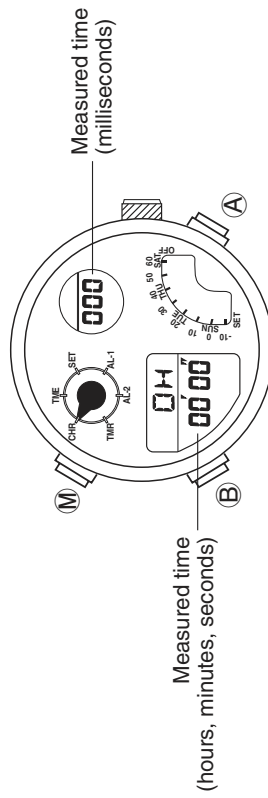
<Changing modes during timer countdown>

If button (M) is pressed in timer mode to change the mode, the time countdown is continued internally. If the mode is changed again to timer mode, the time continuously counted down by the timer is displayed. However, if the timer time is up, the display returns to timer set time.

8. CHRONOGRAPH MODE

The chronograph is capable of measuring and indicating a maximum of 23 hours, 59 minutes, 59 seconds and 999 milliseconds in increments of 1/1000 second. After 24 hours, it stops with a reset display of "00°00'00"000". The chronograph can also measure split time (elapsed time).

[Chronograph reset display]

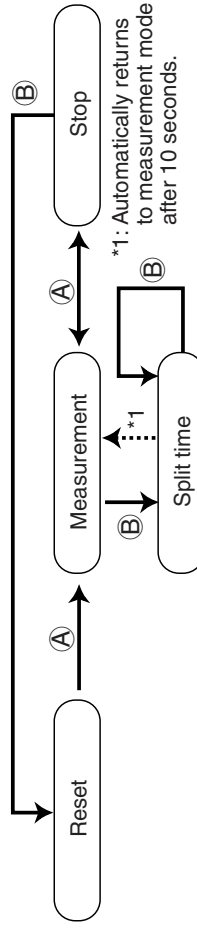


A. Total elapsed time measurement

- (1) The chronograph starts or stops each time button (A) is pressed.
- (2) To reset the chronograph, press button (B) after it is stopped.

B. Split time measurement

- (1) The chronograph starts or stops each time button (A) is pressed.
- (2) Press button (B) during a time measurement, and the watch shows a split time for 10 seconds. While a split time is shown, "SPLIT" will blink. Each time button (B) is pressed, the chronograph shows the latest split time.
- (3) To reset chronograph, press button (B) after it is stopped.

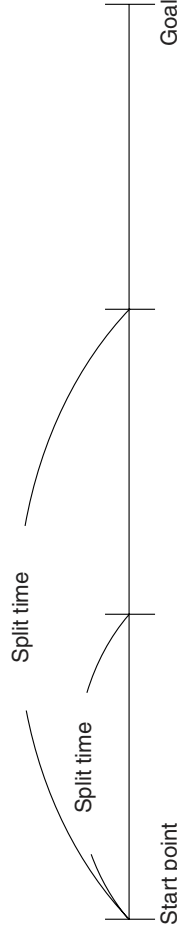


<Changing the mode during time measurement in chronograph mode>
Even if button (M) is pressed during a time measurement in chronograph mode and mode is changed, time measurement is continued internally. The measured time is shown when the mode is returned to chronograph again. However, if the time measurement is continued for more than 24 hours, the chronograph stops at the reset state.

* **Confirmation sound and EL light**

At the time of start, stop, split time check or reset operation in chronograph mode, a confirmation sound is heard.
At the time of stop or a split time measurement, the EL light is turned on with the sound.

Split time: Elapsed time from start point



9. THERMOMETER

A. Methods of measurement

As described below, there are two methods of measuring temperature. The most recently measured temperature is displayed in the Time mode (approximate temperature is graphically displayed in both the “time display” and the “city selection display”) and in the Timer mode. Also, switching between Celsius display (°C) and Fahrenheit (°F) display is possible.

<Automatic temperature measurement>

Temperature is automatically measured every hour on the hour, with the temperature display then being updated. However, measurement will not be carried out if the Chronograph mode or Time/Calendar mode is in the adjustment mode (blinking display) at measurement time.

<Temperature measurement by button operation>

If you change to the “calendar, temperature display” in the Time/Calendar mode, the temperature will be measured at 2-second intervals for 2 minutes.

B. Temperature measurement range and accuracy

	In Celsius (°C)	In Fahrenheit (°F)
Temperature display range	-9.9°C to +59.9°C	14°F to 139°F
Measurement unit	0.1°C	1°F
Measurement accuracy	20°C to 30°C: ±1°C -5°C to +40°C: ±2°C	68°F to 86°F: ±2°F 23°F to 104°F: ±4°F

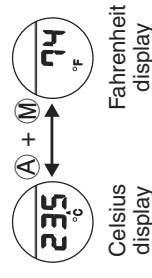
(Notes)

- If the watch is worn on the wrist during temperature measurement, the body temperature affects measurement.
For accurate temperature measurement, take the watch off and leave it in the measuring environment at least for 20 to 30 minutes. The influence of body temperature depends on environmental conditions such as difference between atmospheric temperature and body temperature before taking the watch off, etc.
- Do not use the thermometer out of the display range. Extremely hot or cold temperature may cause malfunction of the watch.

C. Switching between Celsius/Fahrenheit display

In the Time mode's "Date, calendar display," by pressing button **(M)** for more than 2 seconds while button **(A)** is pressed, the temperature display will switch from Celsius (°C) to Fahrenheit (°F) or vice versa.

If button **(M)** is pressed first, however, the display will not change.



<About the graphic display of approximate temperature>

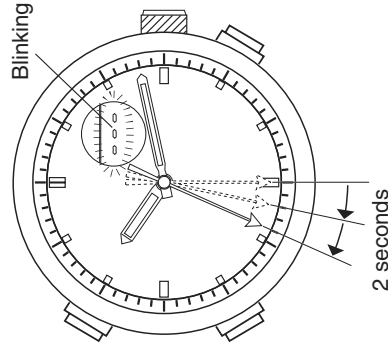
Approximate temperature is graphically displayed in the Time mode's "time display" and "city selection display." The graphic display always shows Celsius temperature, even when the numerical display has been set to Fahrenheit.

10. LOW BATTERY INDICATOR

When the battery gets weak, the low battery indicator function appears in the display as shown below.

- The second hand moves at 2-second intervals (moves by 2 increments every 2 seconds).
- The temperature display starts to blink “-” continuously.

Even when the watch falls into such condition, it still displays the time but the EL light, thermometer and alarm will not function. Immediately replace the battery with new one.



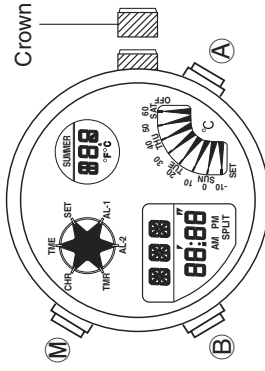
11. ALL RESET

After replacement of the battery, be sure to perform the all reset operation as shown below.

If the watch malfunctions or shows an abnormal display as a result of an excessive shock or static electricity (for example, the watch indicates nothing, continuously sounds alarm, etc.), Perform the all reset operation.

- (1) Pull the crown out.
- (2) Simultaneously press buttons (A), (B) and (M).
- (3) Release the three buttons.
- (4) Press the crown back. (A confirmation sound is heard.)

All reset operation is complete.
Before use, reset the watch for the correct time in all modes.








12. PRECAUTIONS

CAUTION: Water-resistance performance

There are several types of water-resistant watches, as shown in the following table. For correct use within the design limits of the watch, confirm the level of water-resistance of your watch, as indicated on the dial and case, and consult the table.

(The unit "bar" is roughly equal to 1 atmosphere.)

Dial or No indication	Indication		Specifications
	Case (case back)		
WATER RESIST or No indication	WATER RESIST(ANT)	Water-resistant to 3 atmospheres	
WR50 or WATER RESIST 50	WATER RESIST(ANT) 5 bar or WATER RESIST(ANT)	Water-resistant to 5 atmospheres	
WR100/200 or WATER RESIST 100/200	WATER RESIST(ANT) 10/20 bar or WATER RESIST(ANT)	Water-resistant to 10/20 atmospheres	

Examples of use									
	Minor exposure to water (washing face, rain, etc.)		Moderate exposure to water (washing, kitchen work, swimming, etc.)		Marine sports (skin diving)		Scuba diving (with air tank)		Operation of the crown or buttons with moisture visible
OK	OK	NO	NO	NO	NO	NO	NO	NO	
OK	OK	OK	OK	NO	NO	NO	NO	NO	
OK	OK	OK	OK	OK	OK	NO	NO	NO	

- Water-resistance for daily use (to 3 atmospheres): This type of watch is water-resistant to minor exposure to water. For example, you may wear the watch while washing your face; however, it is not designed for use underwater.
- Upgraded water-resistance for daily use (to 5 atmospheres): This type of watch is water-resistant to moderate exposure to water. You may wear the watch while swimming; however, it is not designed for use while skin diving.
- Upgraded water-resistance for daily use (to 10/20 atmospheres): This type of watch may be used for skin diving; however, it is not designed for scuba or saturated diving using helium gas.

CAUTION

- Be sure to use the watch with the crown pressed in (normal position). If your watch has a screw-type crown, be sure to tighten the crown completely.
- Do NOT operate the crown or buttons with wet fingers or when the watch is wet. Water may enter the watch and compromise water-resistance.
- If the watch is used in seawater, rinse with fresh water afterward and wipe with a dry cloth.
- If moisture has entered the watch, or if the inside of the crystal is fogged up and does not become clear within a day, immediately take the watch to your dealer or Citizen Service Center for repair. Leaving the watch in such a state will allow corrosion to form inside.

- If seawater enters the watch, place the watch in a box or plastic bag and immediately take it in for repair. Otherwise, pressure inside the watch will increase, and parts (crystal, crown, buttons, etc.) may come off.

CAUTION: Keep your watch clean.

- Leaving dust and dirt deposited between the case and crown may result in difficulty in pulling the crown out. Rotate the crown while in its normal position, from time to time, to loosen dust and dirt and then brush it off.
- Dust and dirt tend to be deposited in gaps in the back of the case or band. Deposited dust and dirt may cause corrosion and soil your clothing. Clean the watch occasionally.

Cleaning the watch

- Use a soft cloth to wipe off dirt, perspiration and water from the case and crystal.
- Use a soft, dry cloth to wipe off perspiration and dirt from the leather band.
- To clean a metal, plastic, or rubber watchband, wash away dirt with mild soap and water. Use a soft brush to remove dust and dirt jammed in the gaps in the metal band. If your watch is not water-resistant, take it to your dealer.

NOTE: Avoid using solvents (thinner, benzine, etc.), as they may mar the finish.

WARNING: Handling of the battery

- Keep the battery out of the reach of small children. If a child swallows the battery, contact a physician immediately.

CAUTION: Replacing the battery

- For replacement of the battery, take your watch to your dealer or Citizen Service Center.
- Replace the battery as soon as possible if the service life of the battery has expired. Leaving a depleted battery in the watch may result in leakage, which can damage the watch severely.

CAUTION: Operating environment

- Use the watch within the operating-temperature range specified in the instruction manual.
Using the watch where temperatures are outside the specified range, may result in deterioration of functions or even stoppage of the watch.
- Do NOT use the watch in places where it is exposed to high temperature, such as in a sauna.
Doing so may result in a skin burn.

- Do NOT leave the watch in a place where it is exposed to high temperature, such as the glove compartment or dash-board of a car.
Doing so may result in deterioration of the watch, such as deformation of plastic parts.
- Do NOT place the watch close to a magnet.
Timekeeping will become inaccurate if you place the watch close to magnetic health equipment such as a magnetic necklace or a magnetic latch of a refrigerator door or handbag clasp or the earphone of a mobile phone. If this has occurred, move the watch away from the magnet and reset the time.
- Do NOT place the watch close to household appliances that generate static electricity.
Timekeeping may become inaccurate if the watch is exposed to strong static electricity, such as is emitted from a TV screen.
- Do NOT subject the watch to a strong shock such as dropping it onto a hard floor.
- Avoid using the watch in an environment where it may be exposed to chemicals or corrosive gases.
If solvents, such as thinner and benzine, or substances containing such solvents come in contact with the watch, discoloration, melting, cracking, etc. may result. If the watch comes in contact with mercury used in thermometers, the case, band or other parts may become discolored.

13. SPECIFICATIONS

1. Caliber No.: C720
2. Type: Combination (analog + digital) quartz watch
3. Time accuracy: within ± 20 sec/month (at a normal temperature of $+5^{\circ}\text{C}/41^{\circ}\text{F}$ to $+35^{\circ}\text{C}/95^{\circ}\text{F}$)
4. Operating temperature range: -10°C to $+60^{\circ}\text{C}$ (14°F to 140°F)
5. Display functions
 - Time/Calendar: Hour, minute, second, month, day, day of week, city, temperature
 - Zone Set: SET (display)/OFF (non-display) settings, and summer time settings
 - Alarm 1: Hour, minute, ON/OFF, city
 - Alarm 2: Hour, minute, ON/OFF, city
 - Timer: 100-hour meter (1-minute increments)
 - Chronograph: 24-hour meter (increments of 1/1000 second), split time measurement

6. Additional functions

- World time function: Displays time in 30 cities and UTC
 - Thermometer function: Measures and displays temperature in either Celsius or Fahrenheit
 - EL light function
 - Low battery warning function
7. Battery used: Battery No. 280-44. Battery code: SR927W.
8. Battery life: Approximately 2 years (when used under the following conditions: alarm sound, 30 seconds/day; EL light, 2 seconds/day; temperature measurement by button operation, 3 minutes/day; timer time-up sound, 5 seconds/week)

* A newly inserted battery will run the watch for approximately 2 years when the watch is used under ordinary conditions (the conditions described above). However, battery life will vary according to the frequency of use of the timer, chronograph, EL light, etc.

* Specifications may be changed without prior notice due to product modification.