

SEIKO

QUARTZ

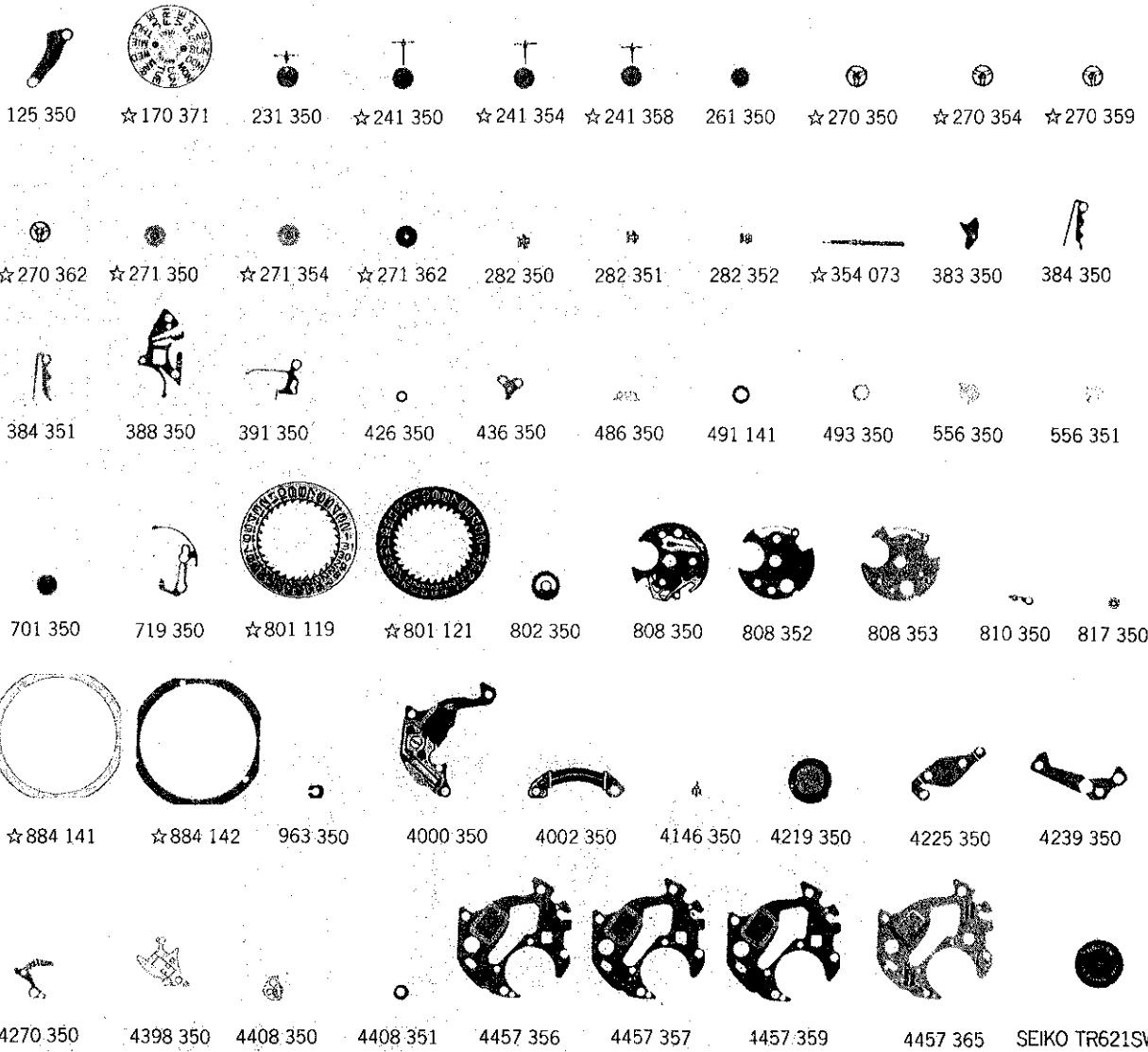
**Cal. 2A series
(2A22, 2A23, 2A27, 2A29)**

**PARTS
CATALOGUE**

Cal. 2A series



(Cal. 2A22A)



012 005	012 006	012 007	012 008	012 012	012 798	032 001	032 002
							2/1
032 003	032 004	032 005	032 006	032 007	032 008	032 009	

Cal. 2A series (2A22, 2A23, 2A27, 2A29)

Characteristics

	2A22	2A23	2A27	2A29
Casing diameter			ϕ 17.6 mm	
Maximum height	2.4 mm	2.8 mm	2.7 mm	2.4 mm
Jewels	2 j			
Frequency of quartz crystal oscillator	32,768 Hz (Hz = Hertz Cycles per second)			
Driving system	Step motor (2 poles)			
Regulation system	Trimmer condenser			
Train wheel setting	○	○	○	○
Calendar	Date	Day/Date	---	Date
Instant setting device	Date	Day/Date	---	Date
Bilingual change-over system for day of the week	---	○	---	---
Battery life indicator	○	○	---	---

PART NO.	PART NAME	PART NO.	PART NAME	
125 350	Train wheel bridge	491 141	Dial washer	
☆ 170 371	Day star with dial disk (Cal. 2A23)	493 350	Hour wheel ring (Cal. 2A27)	
231 350	Third wheel & pinion	556 350	Date finger (Cal. 2A23)	
☆ 241 350	Fourth wheel & pinion (Cal. 2A23)	556 351	Date finger (Cal. 2A22, 2A29)	
☆241 352		701 350	Fifth wheel & pinion	
☆241 353		719 350	Day corrector (Cal. 2A23)	
☆ 241 354		☆ 801 119	Date dial (Cal. 2A22, 2A29)	
☆241 355		☆801 120		
☆241 356	☆ 801 121	Date dial (Cal. 2A23)		
☆241 357	Fourth wheel & pinion (Cal. 2A22, 2A23)	802 350	Date driving wheel (Cal. 2A22, 2A23, 2A29)	
☆ 241 358	Fourth wheel & pinion (Cal. 2A27A, 2A29)	808 350	Date dial guard (Cal. 2A23)	
261 350	Minute wheel	808 352	Date dial guard (Cal. 2A22, 2A29)	
☆ 270 350	Center minute wheel (Cal. 2A23)	808 353	Date dial guard (Cal. 2A27)	
☆270 351		810 350	Date jumper	
☆270 352		817 350	(Cal. 2A22, 2A23, 2A29)	
☆270 353			Intermediate date wheel (Cal. 2A22, 2A23, 2A29)	
☆ 270 354		☆ 884 141	Holding ring for dial (Cal. 2A23)	
☆270 355		☆ 884 142	Holding ring for dial (Cal. 2A22, 2A29)	
☆270 356		☆884 145	Holding ring for dial (Cal. 2A27)	
☆270 357		963 350	Snap for day star with dial disk (Cal. 2A23)	
☆270 358			4000 350	Circuit block
☆ 270 359		Center minute wheel (Cal. 2A29)	4002 350	Coil block (Cal. 2A22, 2A23, 2A29)
☆ 270 362	Center minute wheel (Cal. 2A27)	4002 351	Coil block (Cal. 2A27)	
☆ 271 350	Hour wheel (Cal. 2A22, 2A23)	4146 350	Step rotor (Cal. 2A22, 2A23, 2A29)	
☆271 351	Hour wheel (Cal. 2A23)	4146 351	Step rotor (Cal. 2A27)	
☆271 352		4219 350	Battery connection insulator	
☆271 353		4225 350	Battery clamp (Cal. 2A22, 2A23, 2A29)	
☆ 271 354	Hour wheel (Cal. 2A22, 2A29)	4239 350	Rotor stator	
☆271 355	Hour wheel (Cal. 2A22)	4270 350	Battery connection (—)	
☆271 356		4398 350	Crystal oscillator spacer	
☆ 271 362	Hour wheel (Cal. 2A27)	4408 350	Dial spacer	
282 350	Clutch wheel (Cal. 2A23)	4408 351	Circuit block spacer	
282 351	Clutch wheel (Cal. 2A22, 2A29)	4457 356	Circuit block cover (Cal. 2A23)	
282 352	Clutch wheel (Cal. 2A27)	4457 357	Circuit block cover (Cal. 2A22)	
☆ 354 073	Winding stem	4457 359	Circuit block cover (Cal. 2A29)	
☆354 350	Winding stem (Cal. 2A22)	4457 365	Circuit block cover (Cal. 2A27)	
☆354 361		011 334	Upper hole jewel for step rotor	
383 350		Setting lever	011 334	Lower hole jewel step rotor
384 350	Yoke (Cal. 2A22, 2A23, 2A29)	012 005	Train wheel bridge screw	
384 351	Yoke (Cal. 2A27)	012 005	Circuit block cover screw	
388 350	Setting lever spring	012 005	Setting lever spring screw	
391 350	Train wheel setting lever			
426 350	Train wheel bridge support			
436 350	Lower end-piece for third wheel			
486 350	Clutch wheel guard			

☆⇒Please see remarks on the reverse page.
Part numbers in light letters are not shown in photos.

Cal. 2A series (2A22, 2A23, 2A27, 2A29)

PART NO.	PART NAME	PART NO.	PART NAME
012 006	Date jumper screw (A) (Cal. 2A23, 2A27)	032 003	Tube for circuit block cover screw (A)
012 007	Date jumper screw (B) (Cal. 2A23, 2A27)	032 004	Tube for circuit block cover screw (B)
012 008	Date driving wheel screw (Cal. 2A22, 2A23, 2A29)	032 005	Tube for circuit block cover screw (C)
012 012	Minute hand screw (Silver) (Cal. 2A27)	032 006	Tube for setting lever spring screw
012 013	Minute hand screw (Gold) (Cal. 2A27)	032 007	Tube for date jumper screw (A) (Cal. 2A23, 2A27)
012 798	Date jumper screw (B) (Cal. 2A22, 2A29)	032 008	Tube for date jumper screw (B) (Cal. 2A23, 2A27)
032 001	Tube for train wheel bridge (A)	032 009	Tube for train wheel bridge (B) (Cal. 2A22, 2A29)
032 002	Tube for train wheel bridge (B) (Cal. 2A23, 2A27)	SEIKO TR621SW	Silver (II) oxide batter

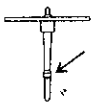
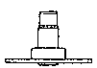

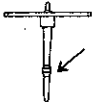


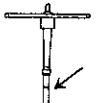





Remarks :

Fourth wheel & pinion, Center minute wheel, Hour wheel

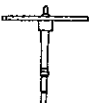





There are some different types as specified below.

Combination :

Cal. 2A22A




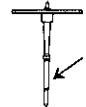
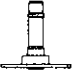

Type	Fourth wheel & pinion	Center minute wheel	Hour wheel
a	 ☆241 354	 ☆270 354	 ☆271 354
* b	 ☆241 355	 ☆270 355	 ☆271 355
c	 ☆241 356	 ☆270 356	 ☆271 356
d	 ☆241 357	 ☆270 357	 ☆271 350

Cal. 2A23A

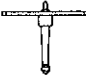
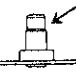


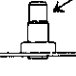

Type	Fourth wheel & pinion	Center minute wheel	Hour wheel
a	 ☆241 350	 ☆270 350	 ☆271 350
* b	 ☆241 357	 ☆270 351	 ☆271 351

Cal. 2A series (2A22, 2A23, 2A27, 2A29)

Remarks :

Type	Fourth wheel & pinion	Center minute wheel	Hour wheel
c	 ☆241 352	 ☆270 352	 ☆271 352
* d	 ☆241 353	 ☆270 353	 ☆271 353

Cal. 2A29A

Type	Fourth wheel & pinion	Center minute wheel	Hour wheel
* a	 ☆241 358	 ☆270 359	 ☆271 354
b	 ☆241 358	 ☆270 358	 ☆271 355

* As of this printing the types marked with "*" are not used. However it may be employed in the future with certain case designs.

Day star with dial disk

- ☆170 371 (English-Spanish, black figures on white background).....
Used when both the crown and the calendar frame located at 3 o'clock position
 If any other type of day star with dial disk is required, specify the number printed on the disk.

Winding stem

- ☆354 073.....Refer to the photograph on the front page.
 If the combination of the winding stem and case is unknown, check the case number and refer to "SEIKO Quartz Casing Parts Catalogue" to choose a corresponding winding stem.

Date dial

- ☆801 119 (Black figures on white background) (Cal. 2A22, 2A29) } Used when both the crown and the
 ☆801 121 (White figures on black background) (Cal. 2A23) }calendar frame are located at
 3 o'clock position.
 ☆801 120 (Black figures on white background) (Cal. 2A22, 2A29).....
Used when the crown are located at 3 o'clock position and the calendar frame at
 6 o'clock position.
 If any other type of date dial is required, specify ① Cal. No. ② The crown position
 ③ The calendar frame position ④ Dial No.

Holding ring for dial

- ☆884 141 } The type of a holding ring for dial is determined based on the design on cases.
 ☆884 142 }If there is different from the photograph, check the case number and refer to
 ☆884 145 } "SEIKO Quartz Casing Parts Catalogue" to choose a corresponding
 holding ring for dial.

Battery

- ☆SEIKO TR621SW.....The substitutive battery might be added to the applied battery in the future.
 In that case, please refer to separate "BATTERY LIST FOR SEIKO QUARTZ WATCHES".
 Note that SEIKO battery is marked with "SEIZAIKEN" on its (+) side.