

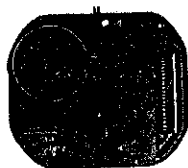
**SEIKO
LASSALE**

QUARTZ

Cal. 9550A

**PARTS
CATALOGUE**

Cal. 9550A



122 855



125 857



☆ 221 851



231 855



241 851



261 855



☆ 271 855



281 855



282 855



354 855



383 855



384 855



389 855



391 855



491 589



604 866



701 855



766 855



4001 851



4002 855



4050 862



4146 855



4216 856



4216 857



4239 855



4259 856



4270 855



4271 855



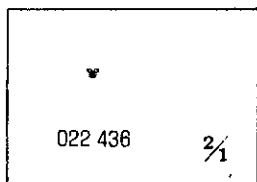
4408 855



4450 855



☆ Maxell SR916SW



022 436

3/1

Cal. 9550A

Characteristics

Casing diameter : ϕ 23.3 mm
 Maximum height : 1.6 mm without battery
 Jewels : 7 j
 Frequency of quartz crystal oscillator : 32,768 Hz (Hz=Hertz Cycles per second)
 Driving system : Step motor (2 poles)
 Regulation system : Regulating switch lever
 Train wheel setting

PART NO.	PART NAME	PART NO.	PART NAME
122 855	Center wheel bridge	027 130	Tube for setting wheel plate complete screw (A)
125 857	Train wheel bridge		
☆221 851	Center wheel & pinion	027 142	Tube for circuit bridge plate (B)
☆221 852		027 744	Setting lever pin
231 855	Third wheel & pinion	027 745	Train wheel setting lever adjusting pin
241 851	Fourth wheel & pinion	027 746	Tube for yoke
261 855	Minute wheel	027 747	Regulating switch lever adjusting pin
☆271 855	Hour wheel	☆Maxell SR916SW	Silver oxide battery
☆271 856		☆SEIKO TR916SW	Silver (II) oxide battery
281 855	Setting wheel		
282 855	Clutch wheel		
354 855	Winding stem		
383 855	Setting lever		
384 855	Yoke		
389 855	Setting lever spring		
391 855	Train wheel setting lever		
491 589	Dial washer		
604 866	Setting wheel plate complete		
701 855	Fifth wheel & pinion		
766 855	Intermediate minute wheel		
4001 851	Circuit block		
4002 855	Coil block		
4050 862	Circuit bridge plate		
4146 855	Step rotor		
4216 856	Insulator for battery (A)		
4216 857	Insulator for battery (B)		
4239 855	Rotor stator		
4259 856	Anti-magnetic shield plate		
4270 855	Battery connection (-)		
4271 855	Battery connection (+)		
4408 855	Circuit block spacer		
4450 855	Regulating switch lever		
011 425	Lower hole jewel for third wheel		
011 425	Lower hole jewel for fifth wheel		
011 547	Upper hole jewel for step rotor		
011 570	Lower hole jewel for step rotor		
011 570	Upper hole jewel for third wheel		
011 570	Upper hole jewel for fourth wheel		
011 570	Upper hole jewel for fifth wheel		
022 436	Circuit bridge plate screw		
022 436	Setting wheel plate complete screw		
022 436	Train wheel bridge screw		
027 127	Tube for train wheel bridge		
027 127	Tube for setting wheel plate complete screw (B)		
027 130	Tube for circuit bridge plate (A)		

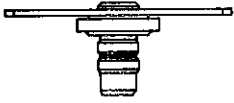
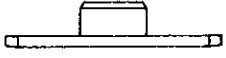
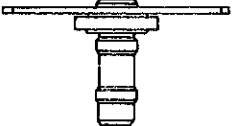
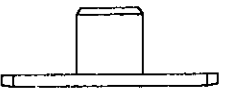
☆⇒Please see remarks on the reverse page.
 Part numbers in light letters are not shown in photos.

Cal. 9550A

Remarks :

Center wheel & pinion, Hour wheel

There are two different types as specified below.
Combination :

Type	Center wheel & pinion	Hour wheel
a	 <p>☆221 851</p>	 <p>☆271 855</p>
*b	 <p>☆221 852</p>	 <p>☆271 856</p>

* As of this printing, the Type b. combination is not used.
However, it may be employed in the future with certain designs.

Battery

☆ Maxell SR916SW }The substitutive battery might be added to the applied battery in the future.
☆ SEIKO TR916SW }
In that case, please refer to separate "BATTERY LIST FOR SEIKO QUARTZ WATCHES".